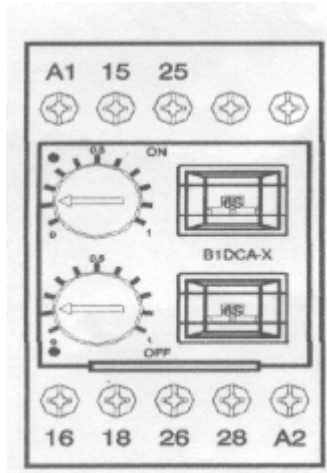




Quick Reference Guide



B Series Timer B1DCA-X

ELECTRONIC AUTOMATION (P) LTD

P. B. # 6414, Yelahanka, Bangalore - 560064

Phones: 0091 - 080 - 8567561 / 8567562

Fax: 080 - 8567129

E-mail : eaplindia@vsnl.com URL : www.eaplindia.com

ISSUE DATE: 15-04-2003

INTRODUCTION

Thank you for purchasing EAPL'S B series B1DCA-X.Timer. This instruction manual describes every aspect of installation, set-up, and operation of the B1DCA-X.Timer. If you run into difficulties and need technical assistance, feel free to call our technical support at (080) 8567561 available between 9 AM – 5:30PM IST or visit our web site at www.eaplindia.com.

EAPL, an ISO 9001 company, leaders in Timer Technology Brings to you a new range of micro controller based programmable timers. High reliability, accuracy, compactness are some of the striking design features.

Uncompromising quality with cost effectiveness has been the watchword at EAPL.

For Customer Use

Enter below the serial Number which is located on the timer cabinet. Retain this information for future reference.

Model No:

Serial No:

Batch No:

Date of Purchase:

Purchase Point:

Accessories

- B Series B1DCA-X Timer - 1 no.
- Quick reference guide
- Protective Cover

NOTE: Please acknowledge that we reserve the right to make changes in product performance or specifications without prior notice. Also please note that we bear no responsibility for mistakes, misprints or omissions of the instruction manual Specifications.

Salient Features

- Din sized (45mm x 75mm) enclosure for track /screw mounting.
- Front terminal protective cover for safety.
- Independently selectable ON and OFF time.

Ordering Information

Model	Function	Source Voltage	Time Range
B1DCA-X	Cyclic adjustable on-off	24V to 240V AC & 24V DC to 220VDC	0.6 secs to 60 mins

Specification

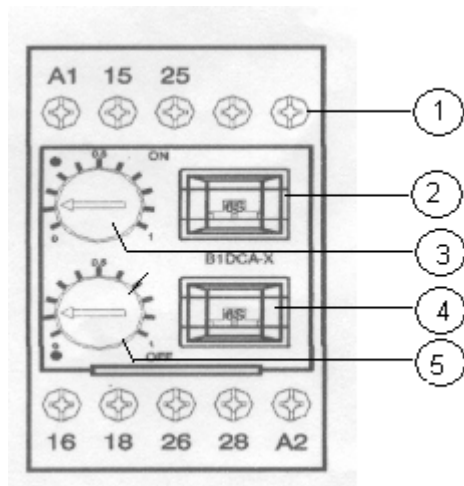
Operating Voltage Range	$\pm 10\%$ of rated voltage
Rated frequency	50 Hz $\pm 5\%$
Power consumption	AC approx. 5VA/1W, DC approx. 2W
Control output	2c/o rated for 5A @250V AC/28VDC resistive load
Setting Accuracy	$\pm 10\%$ max. w.r.t. full scale ± 100 msec
Repeat Accuracy	$\pm 1\%$ maximum ± 100 msec
Recovery Time	100 msec. minimum
Rated frequency of operation	1800/hr $\pm 5\%$ operations per hour maximum
Variation due to voltage change	$\pm 2\%$ max ± 100 msec
Variation due to temp. change	$\pm 5\%$ max ± 100 msec
Variation due to freq. change	$\pm 2\%$ max ± 100 msec
Ambient Temperature	Operating: - 10 degree C to + 55 degree C Storage : - 25 degree C to + 80 degree C
Humidity	MAX. 85% RH @ 40 degree C
Service Life (under no load)	10^6 operations minimum
Electrical Life (with full load)	10^5 Operations minimum
Connections	Screw type terminals with self lifting clamps
Insulation resistance	>100 M ohms @500 V DC
Dielectric Strength	a) 2.5KV AC ,50Hz for 1 minute (between current carrying & non current carrying parts) b) 1.5KV AC,50Hz for 1minute (between contacts and control circuit) c) 1KV AC ,50Hz for 1 minute (between non continuous relay contacts)
Dimensions	45x 75 x 116 mm [W x H x D]
Allowable Ripple	3% maximum (for DC supply)

Operating Instructions



- Do not apply voltage other than specified voltage.
- Do not change the time range while the timing cycle is in progress..
- Switch off the power while changing the time range.
- Please use separate cables to connect A1/A2 and load from the relay contacts to avoid timer malfunction.

Front Panel

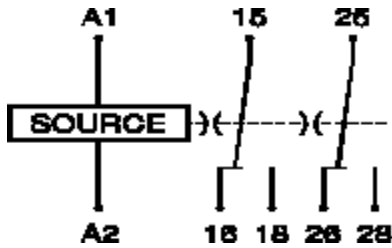


- 1 **TERMINAL SCREW WITH SELF LIFTING CLAMPS**
- 2, 4 **THUMB WHEEL SWITCH**
This switch is used for the time range selection.
- 3, 5 **KNOB**
This knob is used to select the desired time range.

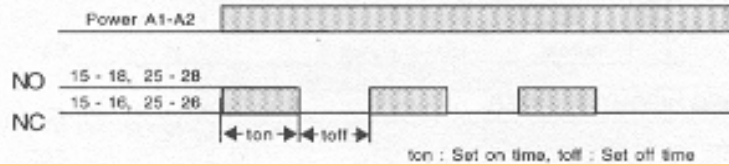
Terminal Details

- A1, A2 : Source
15-16, 25-26 : Normally Closed (NC)
15-18, 25-28 : Normally Opened (NO)
* The timer resets on power interruption.

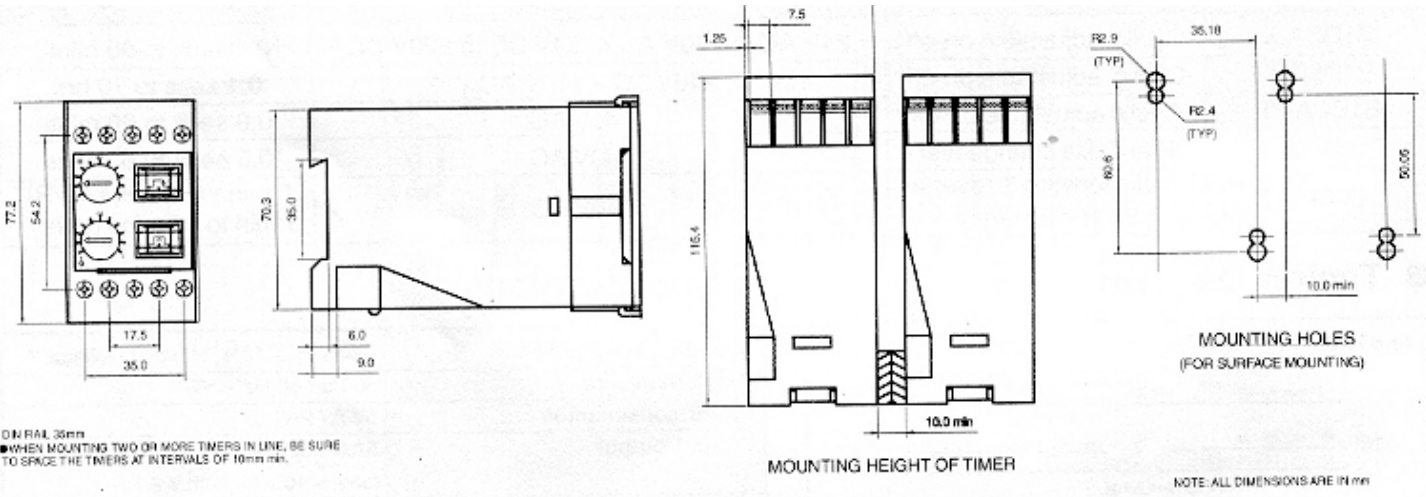
Connection Diagram



Timing Diagram



Dimension



How to select the time range

- Set the ON delay using the upper thumb wheel switch and knob.
- Set the OFF delay using lower thumb wheel switch and knob
- The time ranges are 6s, 18s, and 36s, 60 seconds & 3m, 6m, 30m, and 60m in minutes.

How to Operate the timer

- Apply rated voltage across A1 & A2 ON delay starts (ON LED GLOWS) with the closure of the NO contacts.
- At the end of the set ON delay the 2 c/o contacts revert back to normal position and set OFF delay starts(OFF LED glows)
- The cycle repeats till the power is interrupted.